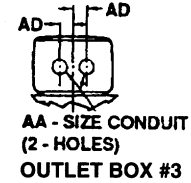
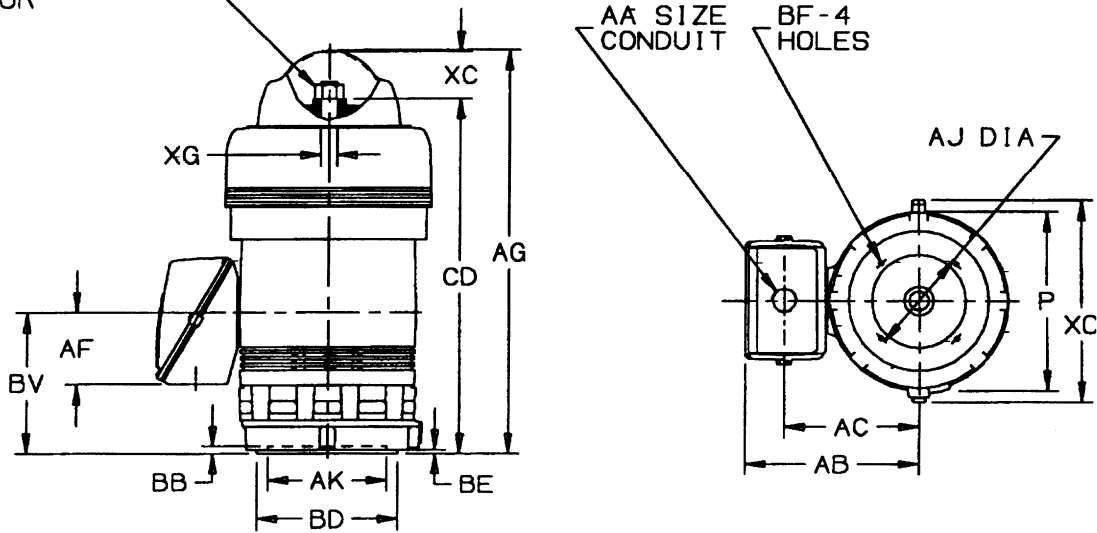


DIMENSIONS
HOLLOSHAFT STYLE "P" BASE
FRAME: 449TP, TPH

TYPE: HUS

PUMP SHAFT, ADJUSTING NUT,
 LOCKING SCREWS
 ARE NOT FURNISHED
 WITH MOTOR



ALL DIMENSIONS ARE IN INCHES

FRAME	AJ	AK	BD	BF
449TP	14-3/4	13-1/2	24-1/2	11/16
449TPH	14-3/4	13-1/2	20	11/16

MAIN CONDUIT BOX	AA	AB	AC	AF	AD
SIZE #2 - STD	3-1/2	23-1/4	17-3/4	8-1/16	—
SIZE #2.5	3-1/2	24-1/2	18-3/4	10	—
SIZE #3	3-1/2	28	20-7/8	10-15/16	3

P ²	AG	BB	BE	BV	CD	XC	XO
29	56-5/16	1/4	7/8	19-3/8	49-25/32	6-1/4	34

TOLERANCES	
"AK" DIMENSION	-.000; +.005
FACE RUNOUT	.007 F-I.R.
PERMISSIBLE ECCENTRICITY OF MOUNTING RABBET	.007 F-I.R.

1: LARGEST MOTOR WIDTH.

2: CONDUIT OPENING MAY BE LOCATED IN STEPS OF 90 DEGREES REGARDLESS OF LOCATION, STANDARD AS SHOWN WITH CONDUIT OPENING DOWN.

3: #3 BOX HAS 2 CONDUIT OPENINGS.

