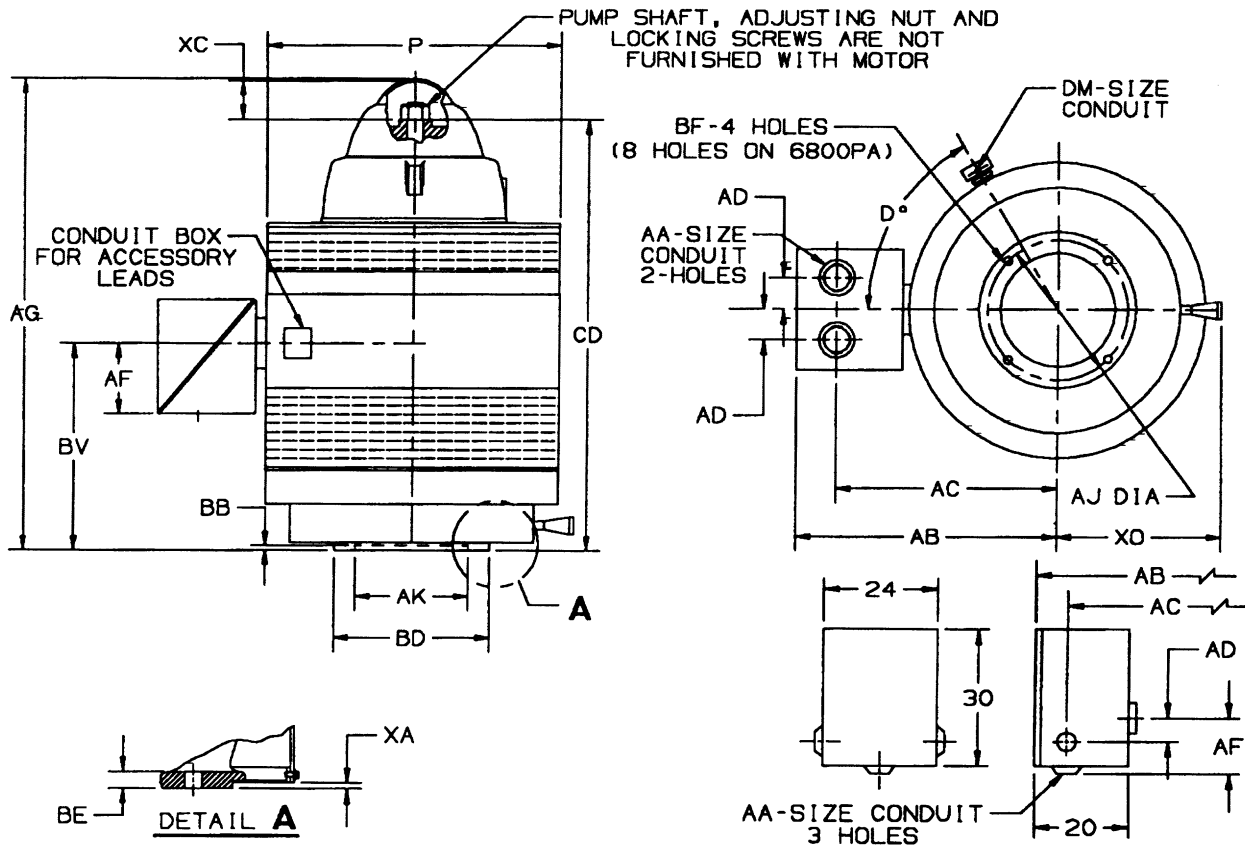


DIMENSIONS
WEATHER PROTECTED II
FRAME: 6800P, PA

TYPE: HU



ALL DIMENSIONS ARE IN INCHES

FRAME	XO	P	AG	BV	CD	XC
6808	34-1/4	56-3/4	87-9/16	32-11/16	80-1/16	7-1/8
6810			98-9/16	43-11/16	91-1/16	

FRAME	BD	BE	AJ	BF	AK	BB	XA
6800P	30-1/2	1-1/2	26	13/16	22.000	1/4	5/16
6800PA	36		32	1	26.000		

FRAME	HP	VOLT	AA	AB	AC	AD	AF	D°	DM
6800	ALL	460	3-1/2	44-1/16	37-7/16	3	10-15/16	60	3/4
	ALL	2300							
	THRU 1000	4000							
	1001 & UP	4000							

TOLERANCES	22.000 AK	26.000 AK
FACE RUNOUT	.007 F.I.R.	.009 F.I.R.
PERMISSIBLE ECCENTRICITY OF MOUNTING RABBET	.007 F.I.R.	.009 F.I.R.
MAXIMUM SHAFT END PLAY	.010	.010
TOLERANCE ON AK-DIMENSION	+.005	+.007

- ROUGH DIMENSIONS MAY VARY BY ± 1/4" DUE TO CASTING AND OR FABRICATION VARIATIONS.
- CONDUIT OPENINGS MAY BE LOCATED IN STEPS OF 90°. STANDARD IS AS SHOWN WITH CONDUIT OPENING DOWN.
- CONDUIT BOX FOR 4000 VOLT MOTORS OVER 1000 HP CANNOT BE ROTATED.



U. S. ELECTRICAL MOTORS
 DIVISION OF EMERSON ELECTRIC CO.

