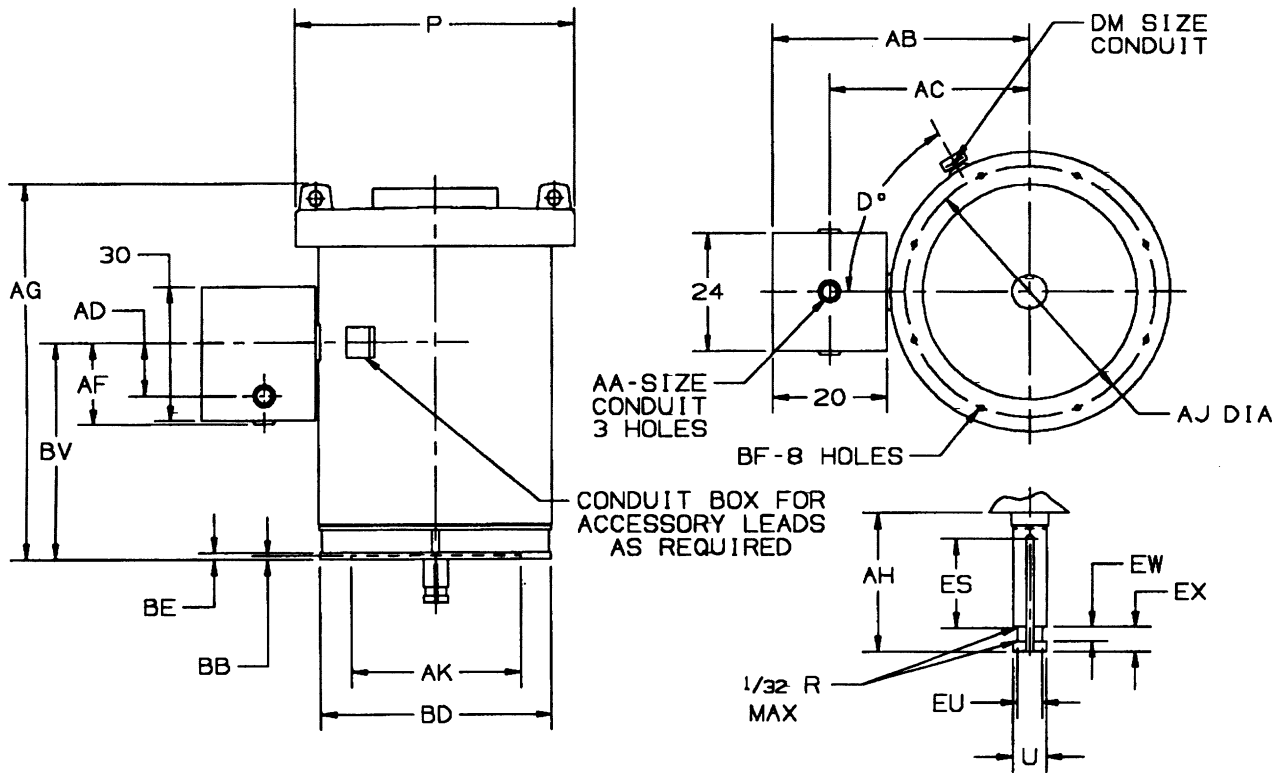


**DIMENSIONS**  
**WEATHER PROTECTED I**  
**FRAME: 8000**

**TYPE: RV**



ALL DIMENSIONS ARE IN INCHES

AA	AB	AC	AD	AF	D°	DM
3-1/2	43-7/16	37-7/16	11	17-15/16	45	1

U	AH	ES	EU	EX	EW	SQ
-.001	±.062	MIN	-.005	-.005	+.002	KEY
4.875	10.000	7.500	4.125	1.500	.750	1-1/4

FRAME	BD	BE	AJ	BF	AK	BB
8000PH	42	1-3/4	39	1-1/8	±.007 33.750	1/4

FRAME	P	AG	BV
8006	55-3/4	63-1/2	33-3/4
8007		67-1/2	37-3/4
8008		71-1/2	41-3/4
8009		75-1/2	45-3/4
8010		79-1/2	49-3/4
8011		83-1/2	53-3/4

TOLERANCES	
FACE RUNOUT	.009 F.I.R.
PERMISSIBLE ECCENTRICITY OF MOUNTING RABBIT	.009 F.I.R.
PERMISSIBLE SHAFT RUNOUT	.003 F.I.R.
MAXIMUM SHAFT END PLAY	.010

1: ROUGH DIMENSIONS MAY VARY BY ±1/4" DUE TO CASTING AND OR FABRICATION VARIATIONS.



**U. S. ELECTRICAL MOTORS**  
 DIVISION OF EMERSON ELECTRIC CO.

