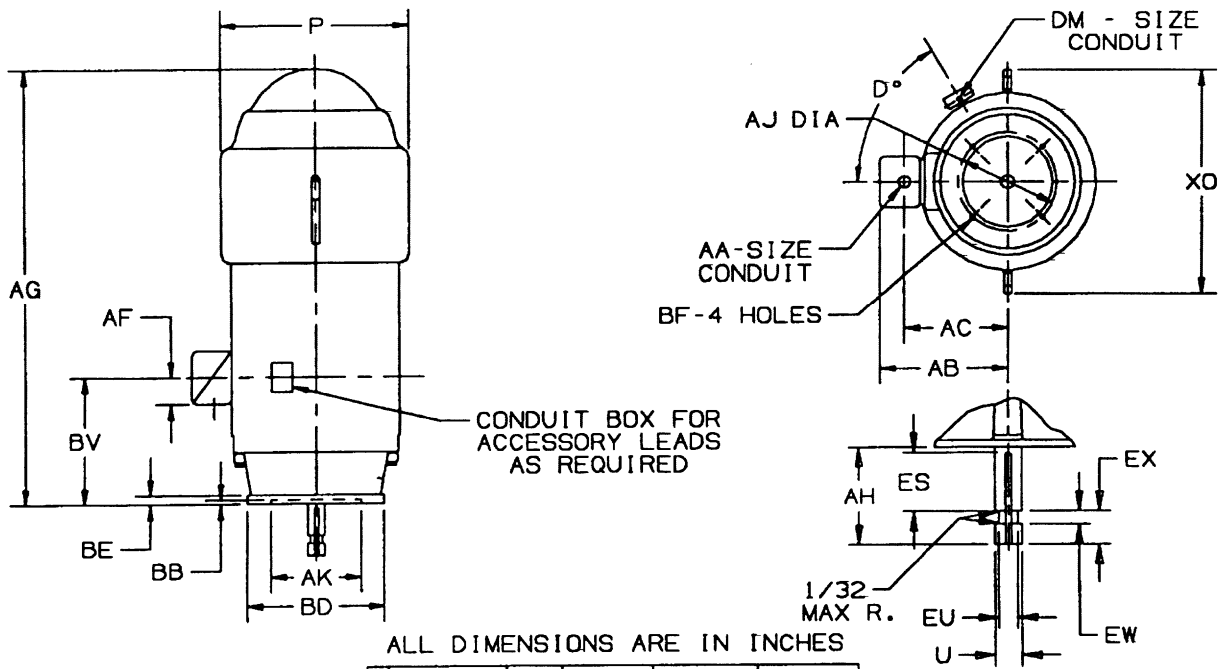


DIMENSIONS
WEATHER PROTECTED I
FRAME: 5000P, PH

TYPE: HV-4

PRINTS
5000
HV-4



ALL DIMENSIONS ARE IN INCHES

FRAME	X0	P	AG	BV
5006	34	29	56-5/16	19-3/8
5007			61-3/8	
5008			60-7/16	
5009			64-7/16	

FRAME	BD	BE	AJ	BF	AK +.005	BB
5000P	24-1/2	7/8	14-3/4	11/16	13.500	1/4
5000PH	20					

FRAME	HP	VOLT	AA	AB	AC	AF	D°	DM
5006	ALL	460	3-1/2	23-1/4	17-3/4	8-1/16	60	3/4
	ALL	2300		24-1/4	18-3/4	10		
	ALL	4000						
5009	ALL	460	3-1/2	24	18-1/2	8-1/16	65	3/4
	ALL	2300		25	19-1/2	10		
	ALL	4000						

HP	POLES (RPM)				U	AH	ES	EU	EX	EW	SQ
	2(3600)	4(1800)	6(1200)	8(900)	-.001	±.062	MIN	-.005	-.005	+.002	KEY
HP	ALL	ALL THRU 300	ALL THRU 200	ALL THRU 150	2.125	4.500	3	1.750	.750	.375	1/2
	--	350 THRU 450	250 THRU 300	200	2.375	5.000	3-1/2	2.000	.750	.375	5/8
	--	500	350 THRU 400	250 THRU 300	2.625	5.000	3-1/2	2.250	.750	.375	5/8

HP	POLES (RPM)				U	AH	ES	EU	EX	EW	SQ
	10(720)	12(600)	14(514)	16(450)	-.001	±.062	MIN	-.005	-.005	+.002	KEY
HP	ALL THRU 125	ALL THRU 100	ALL THRU 75	ALL THRU 75	2.125	4.500	3	1.750	.750	.375	1/2
	150	125 THRU 150	100 THRU 125	100	2.375	5.000	3-1/2	2.000	.750	.375	5/8
	200	200	150	125 THRU 150	2.625	5.000	3-1/2	2.250	.750	.375	5/8

- ROUGH DIMENSIONS MAY VARY BY ± 1/4" DUE TO CASTING AND OR FABRICATION VARIATIONS.
- CONDUIT OPENINGS MAY BE LOCATED IN STEPS OF 90° - STANDARD IS AS SHOWN WITH CONDUIT OPENING DOWN.

TOLERANCES	
FACE RUNOUT	.007 F.I.R.
PERMISSIBLE ECCENTRICITY OF MOUNTING RABBIT	.007 F.I.R.
PERMISSIBLE SHAFT RUNOUT	.003 F.I.R.
SHAFT END PLAY	.010 MAX.



U. S. ELECTRICAL MOTORS
 DIVISION OF EMERSON ELECTRIC CO.

