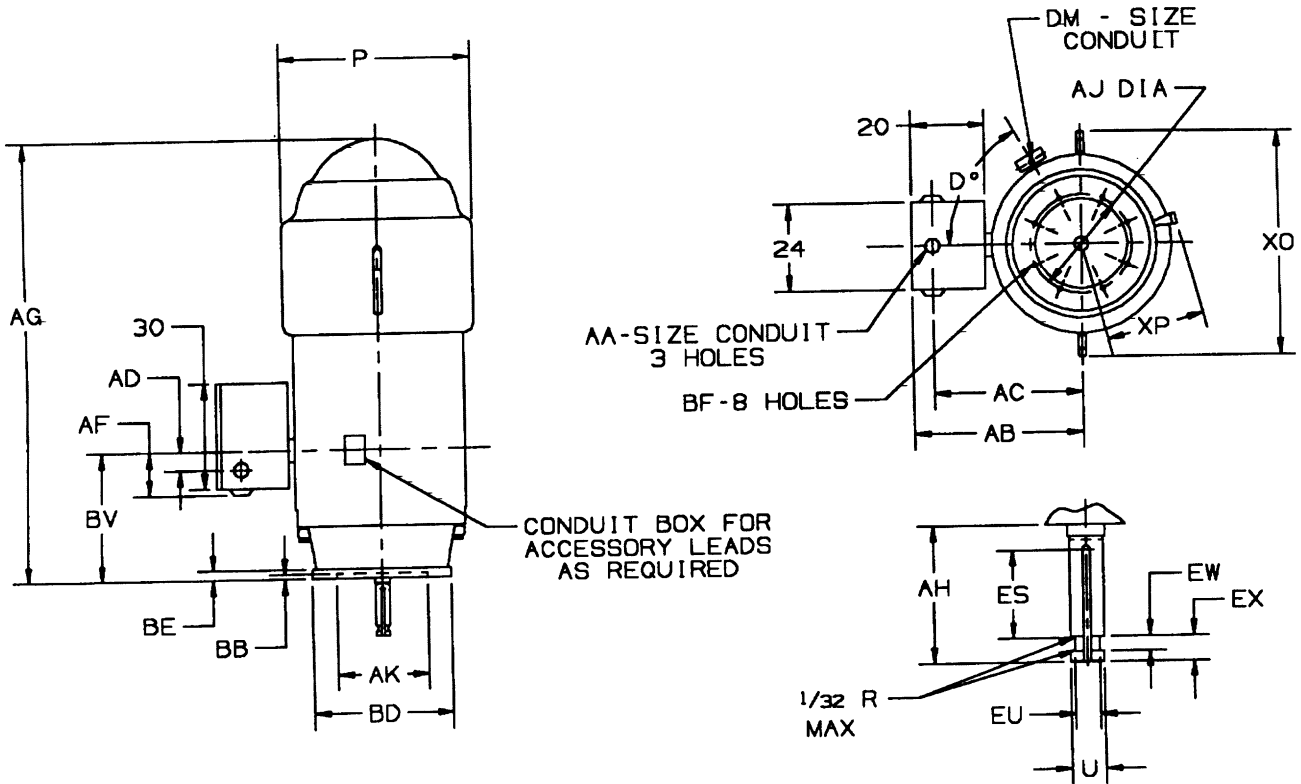


**DIMENSIONS**  
**WEATHER PROTECTED I**  
**FRAME: 8000**

**TYPE: RV-4**

**PRINTS**  
**8000**  
**RV-4**



ALL DIMENSIONS ARE IN INCHES

FRAME	XP	XO	P	AG	BV
8006	25	48-1/4	45	92-1/16	33-3/4
8007				96-1/16	37-3/4
8008				100-1/16	41-3/4
8009				104-1/16	45-3/4
8010				108-1/16	49-3/4
8011				112-1/16	53-3/4

U	AH	ES	EU	EX	EW	SQ
-.001	±.062	MIN	-.005	-.005	+.002	KEY
4.875	10.000	7.500	4.125	1.500	.750	1-1/4

FRAME	BD	BE	AJ	BF	AK	BB
8000PH	42	1-3/4	39	1-1/8	33.750	1/4

FRAME	HP	VOLT	AA	AB	AC	AD	AF	D°	DM
8000	ALL	ALL	3-1/2	43-7/16	37-7/16	11	17-15/16	45	1

1: ROUGH DIMENSIONS MAY VARY BY ± 1/4" DUE TO CASTING AND OR FABRICATION VARIATIONS.

TOLERANCES	
FACE RUNOUT	.009 F.I.R.
PERMISSIBLE ECCENTRICITY OF MOUNTING RABBIT	.009 F.I.R.
PERMISSIBLE SHAFT RUNOUT	.003 F.I.R.
MAXIMUM SHAFT END PLAY	.010



**U. S. ELECTRICAL MOTORS**  
 DIVISION OF EMERSON ELECTRIC CO.

