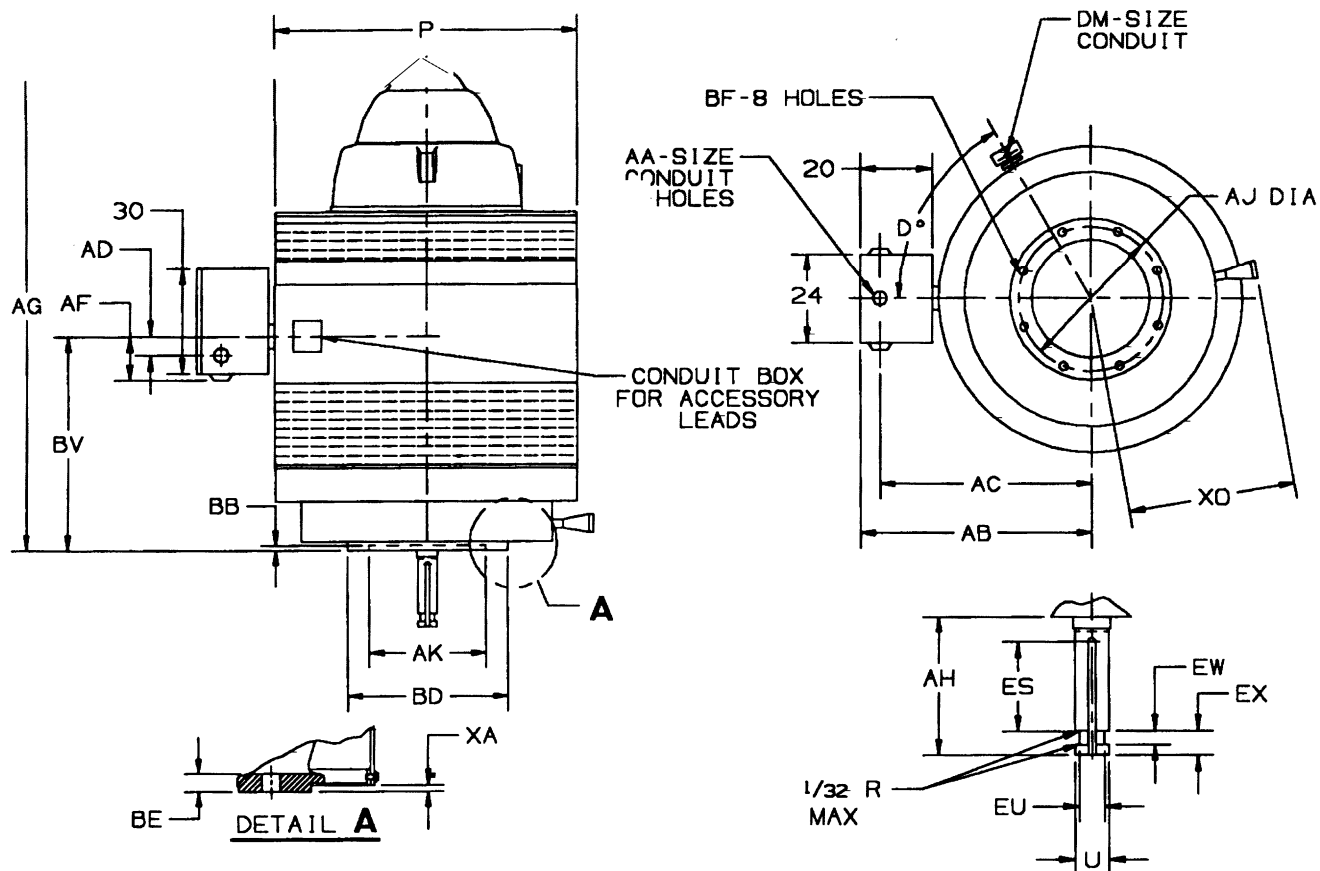


DIMENSIONS
WEATHER PROTECTED II
FRAME: 8000

TYPE: RV-4



ALL DIMENSIONS ARE IN INCHES

FRAME	XO	P	AG	BV
8006	37-3/8	67-7/16	92-1/16	33-3/4
8007			96-1/16	37-3/4
8008			100-1/16	41-3/4
8009			104-1/16	45-3/4
8010			108-1/16	49-3/4
8011			112-1/16	53-3/4

U	AH	ES	EU	EX	EW	SQ
-.001	±.062	MIN	-.005	-.005	+.002	KEY
4.875	10.000	7.500	4.125	1.500	.750	1-1/4

FRAME	BD	BE	AJ	BF	AK	BB	XA
8000PH	42	1-3/4	39	1-1/8	33.750	1/4	1

FRAME	HP	VOLT	AA	AB	AC	AD	AF	D°	DM
8000	ALL	ALL	3-1/2	54-11/16	48-11/16	L1	17-15/16	45	1

TOLERANCES	
FACE RUNOUT	.009 F.I.R.
PERMISSIBLE ECCENTRICITY OF MOUNTING RABBIT	.009 F.I.R.
PERMISSIBLE SHAFT RUNOUT	.003 F.I.R.
MAXIMUM SHAFT END PLAY	.010

1: ROUGH DIMENSIONS MAY VARY BY ± 1/4" DUE TO CASTING AND DR FABRICATION VARIATIONS.



U. S. ELECTRICAL MOTORS
 DIVISION OF EMERSON ELECTRIC CO.

