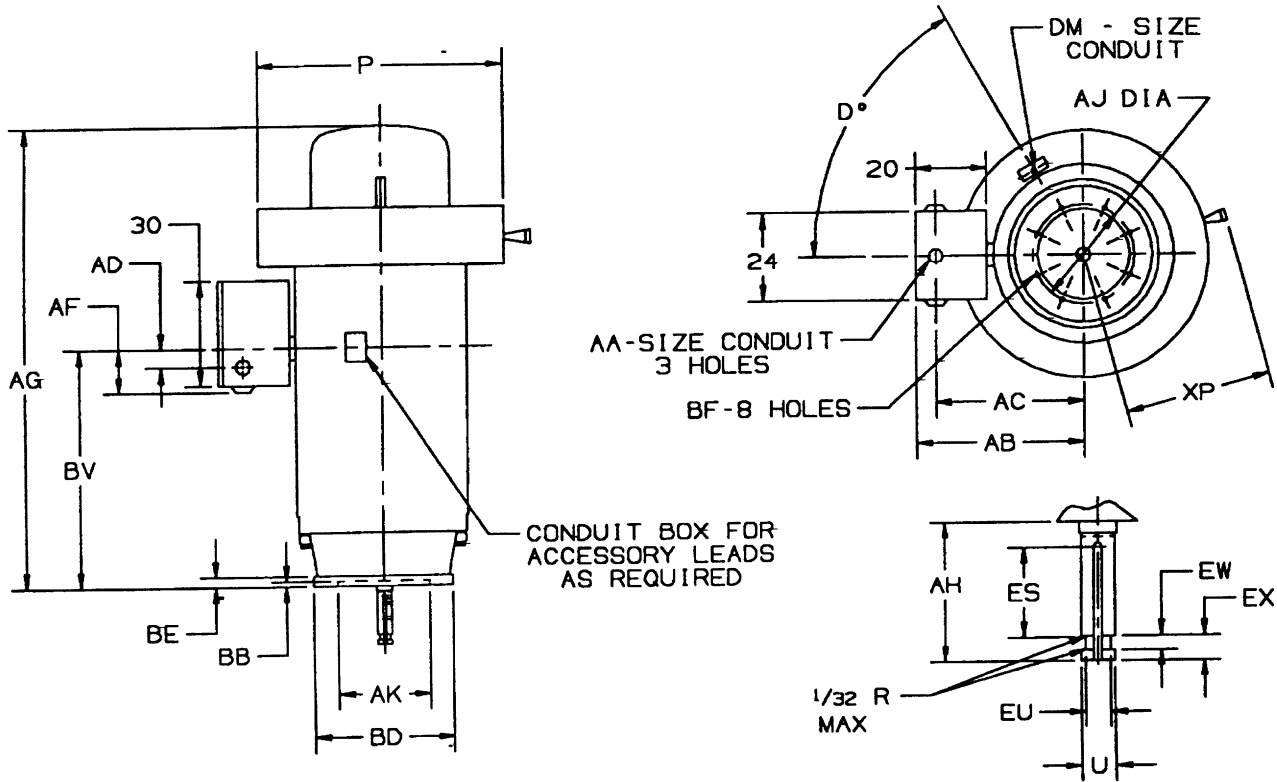


DIMENSIONS
WEATHER PROTECTED I
FRAME: 9600

TYPE: RV-4

PRINTS
9600
RV-4



ALL DIMENSIONS ARE IN INCHES

FRAME	XP	P	AG	BV
9601	37-1/8	62-5/8	82-3/4	35-3/4
9602			86-3/4	39-3/4
9603			90-3/4	43-3/4
9604			94-3/4	47-3/4
9605			98-3/4	51-3/4
9606			102-3/4	55-3/4
9607			106-3/4	59-3/4
9608			110-3/4	63-3/4

FRAME	BD	BE	AJ	BF	AK +.007	BB
9600PH	42	1-3/4	39	1-1/8	33.750	1/4

FRAME	HP	VOLT	AA	AB	AC	AD	AF	D°	DM
9600	ALL	ALL	3-1/2	47-3/8	41-3/8	11	17-15/16	90	L

U	AH	ES MIN	EU	EX	EW	SQ KEY
-.001	±.062		-.005	-.005	+.002	
5.500	11.500	9.000	4.750	1.500	.750	1-1/4

TOLERANCES	
FACE RUNOUT	.009 F.I.R.
PERMISSIBLE ECCENTRICITY OF MOUNTING RABBET	.009 F.I.R.
PERMISSIBLE SHAFT RUNOUT	.003 F.I.R.
MAXIMUM SHAFT END PLAY	.010

1: ROUGH DIMENSIONS MAY VARY BY ± 1/4" DUE TO CASTING AND OR FABRICATION VARIATIONS.



U. S. ELECTRICAL MOTORS
 DIVISION OF EMERSON ELECTRIC CO.

