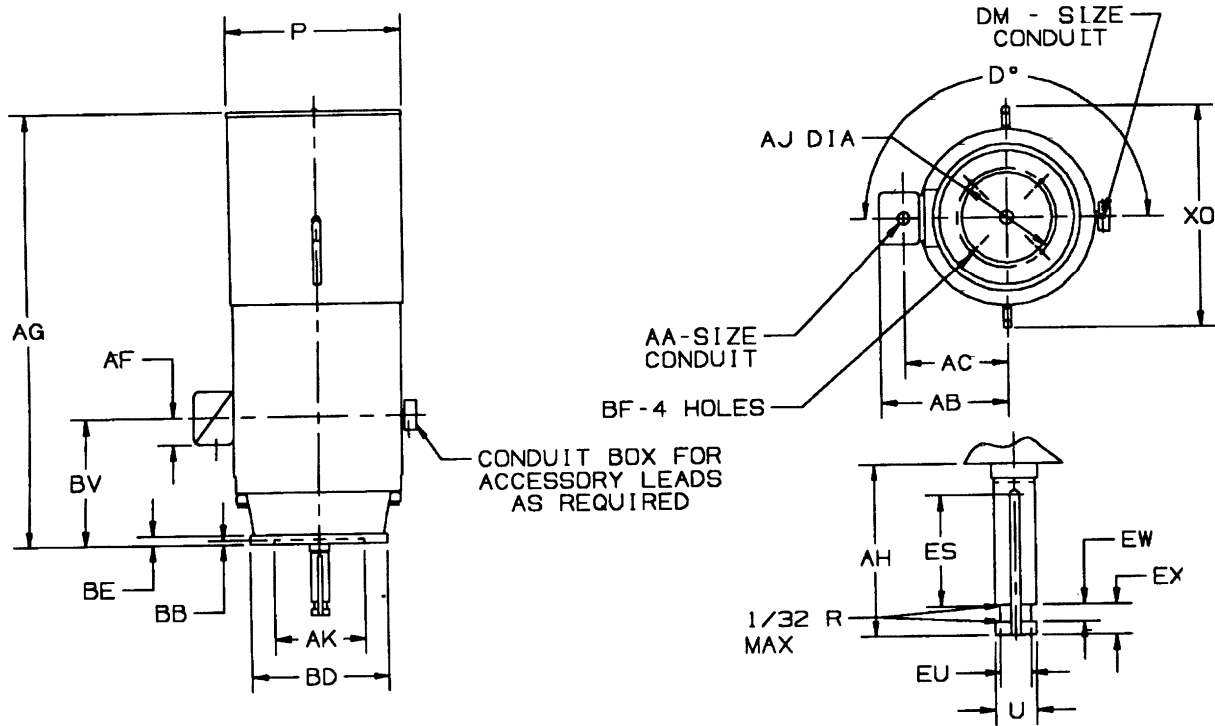


**DIMENSIONS**  
**TOTALLY ENCLOSED FAN COOLED**  
**FRAME: 449**

**TYPE: JV & JV-3**

**PRINTS**  
**449**  
**JV, JV-3**



ALL DIMENSIONS ARE IN INCHES

FRAME	BD	BE	AJ	BF	AK +.005	BB	P	XO
449VP	24-1/2	7/8	14-3/4	11/16	13.500	1/4	26-1/4	33
449VPH	20							

FRAME	HP	VOLTS	AA	AB	AC	AF	D°	DM	AG	BV
449	ALL	460	3-1/2	24	18-1/2	8-1/16	180	3/4	60-7/8	12-1/2
	ALL	2300								
	ALL	4000		25	19-1/2	10				

POLES (RPM)				U	AH	ES	EU	EX	EW	SQ	
HP	2 (3600)	4 (1800)	6 (1200)	8 (900)	-.001	±.062	MIN	-.005	-.005	+.002	KEY
	ALL	ALL THRU 300	ALL THRU 200	ALL THRU 150	2.125	4.500	3.000	1.750	0.750	0.375	1/2
	---	350	250 THRU 300	200	2.375	5.000	3.500	2.000	0.750	0.375	5/8
	---	---	---	250	2.625	5.000	3.500	2.250	0.750	0.375	5/8
POLES (RPM)				U	AH	ES	EU	EX	EW	SQ	
HP	10 (720)	12 (600)	14 (514)	16 (450)	-.001	±.062	MIN	-.005	-.005	+.002	KEY
	ALL THRU 125	ALL THRU 100	ALL THRU 75	ALL THRU 75	2.125	4.500	3.000	1.750	0.750	0.375	1/2
	150	125 THRU 150	100 THRU 125	100	2.375	5.000	3.500	2.000	0.750	0.375	5/8
	200	---	---	---	2.625	5.000	3.500	2.250	0.750	0.375	5/8

TOLERANCES	
FACE RUNOUT	.007 F.I.R.
PERMISSIBLE ECCENTRICITY OF MOUNTING RABBIT	.007 F.I.R.
PERMISSIBLE SHAFT RUNOUT	.003 F.I.R.
MAXIMUM SHAFT END PLAY	.010

- ROUGH DIMENSIONS MAY VARY BY +/- 1/4" DUE TO CASTING AND/OR FABRICATION VARIATIONS.
- CONDUIT OPENINGS MAY BE LOCATED IN STEPS OF 90°. STANDARD IS AS SHOWN WITH CONDUIT OPENING DOWN.



**U. S. ELECTRICAL MOTORS**  
 DIVISION OF EMERSON ELECTRIC CO.

