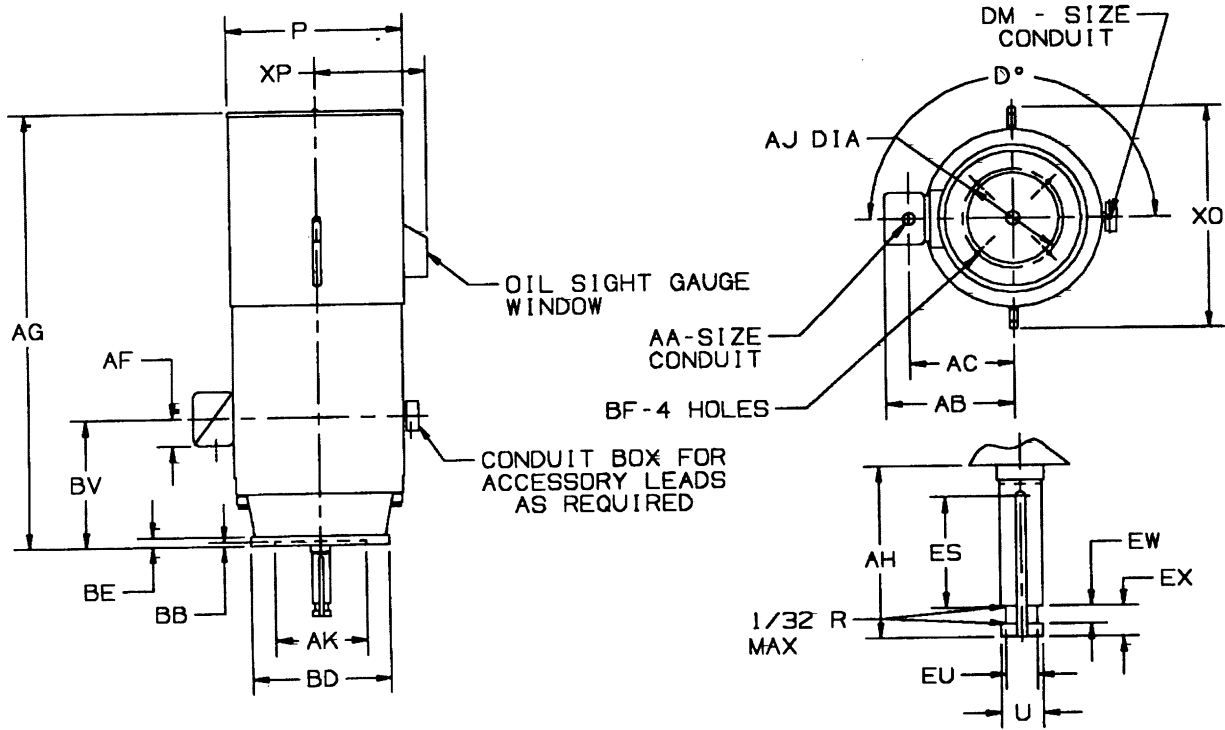


**DIMENSIONS**  
**TOTALLY ENCLOSED FAN COOLED**  
**FRAME: 449**

**TYPE: JV-4**

**PRINTS**  
**449**  
**JV-4**



ALL DIMENSIONS ARE IN INCHES

FRAME	BD	BE	AJ	BF	AK +.005	BB	P	XO	XP
449VP	24-1/2	7/8	14-3/4	11/16	13.500	1/4	26-1/4	33	14-1/2
449VPH	20								

FRAME	HP	VOLTS	AA	AB	AC	AF	D°	DM	AG	BV
449	ALL	460	3-1/2	24	18-1/2	8-1/16	180	3/4	63-7/8	12-1/2
	ALL	2300			19-1/2	10				
	ALL	4000		25						

HP	POLES (RPM)				U	AH	ES	EU	EX	EW	SQ
	2(3600)	4(1800)	6(1200)	8(900)	-.001	±.062	MIN	-.005	-.005	+.002	KEY
---	ALL THRU 300	ALL THRU 200	ALL THRU 150	200	2.125	4.500	3.000	1.750	0.750	0.375	1/2
---	350	250 THRU 300	200	250	2.375	5.000	3.500	2.000	0.750	0.375	5/8
---	---	---	---	---	2.625	5.000	3.500	2.250	0.750	0.375	5/8

HP	POLES (RPM)				U	AH	ES	EU	EX	EW	SQ
	10(720)	12(600)	14(514)	16(450)	-.001	±.062	MIN	-.005	-.005	+.002	KEY
---	ALL THRU 125	ALL THRU 100	ALL THRU 75	ALL THRU 75	2.125	4.500	3.000	1.750	0.750	0.375	1/2
---	150	125 THRU 150	100 THRU 125	100	2.375	5.000	3.500	2.000	0.750	0.375	5/8
---	200	---	---	---	2.625	5.000	3.500	2.250	0.750	0.375	5/8

TOLERANCES	
FACE ROUNDT	.007 F.I.R.
PERMISSIBLE ECCENTRICITY OF MOUNTING RABBET	.007 F.I.R.
PERMISSIBLE SHAFT ROUNDT	.003 F.I.R.
MAXIMUM SHAFT END PLAY	.010

- ROUGH DIMENSIONS MAY VARY BY +/- 1/4" DUE TO CASTING AND/OR FABRICATION VARIATIONS.
- CONDUIT OPENINGS MAY BE LOCATED IN STEPS OF 90°. STANDARD IS AS SHOWN WITH CONDUIT OPENING DOWN.