

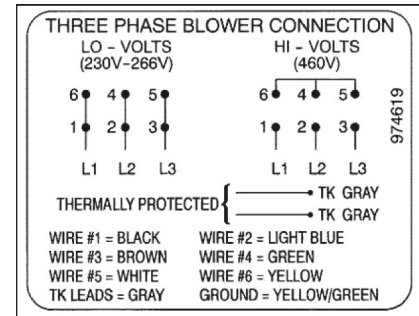
GENERAL PURPOSE UNIMOUNT
GENERAL PURPOSE HOSTILE DUTY
GENERAL PURPOSE CORRO-DUTY
GENERAL PURPOSE 841 PLUS
GENERAL PURPOSE e-LINE
GENERAL PURPOSE OPEN DRIPPROOF
GENERAL PURPOSE HAZARDOUS LOCATION
GENERAL PURPOSE AUTOMOTIVE DUTY
COOLING TOWER DUTY
HAZARDOUS LOCATION
C-FACE MOTORS
VARIABLE FREQUENCY

Special Application, Vector Duty Blower & Encoder Data

Standard Blower Performance Data

Frame	Volts	Watts	Syn Speed	Full Load PF	Full Load Amps	Locked Rotor Amps	Phase	dBa	Replacement Fan	List Price
140	115	39	3600	0.73	0.47	0.72	1	65	427387-000	\$178
180	115	39	3600	0.73	0.47	0.72	1	65	427387-000	\$178
210	230	31	3600	0.88	0.09	0.35	3	65	427388-000	\$615
210	460	35	3600	0.73	0.06	0.19	3	65	427388-000	\$615
250	230	31	3600	0.88	0.09	0.35	3	65	427388-000	\$615
250	460	35	3600	0.73	0.06	0.19	3	65	427388-000	\$615
280	230	148	3600	0.91	0.41	1.84	3	74	427389-000	\$686
280	460	165	3600	0.90	0.23	0.92	3	74	427389-000	\$686
320	230	148	3600	0.91	0.41	1.84	3	74	427389-000	\$686
320	460	165	3600	0.90	0.23	0.92	3	74	427389-000	\$686
360	230	148	3600	0.91	0.41	1.84	3	74	427389-000	\$686
360	460	165	3600	0.90	0.23	0.92	3	74	427389-000	\$686

210-440 Frame 3-Phase Blower Connection Data



1024 PPR Spare/Replacement Encoders

Frame	Type	Std. Part No.	List	10 Pin Part No.	List
180,210,360,400,440	TEBC	426073-000	\$783	N/A	N/A
180,210	TENV	0426071	\$827	0471234	\$927
250	TEBC	426077-000	\$917	N/A	N/A
250	TENV	426075-000	\$917	0471235	\$1017
280	TEBC	0426079	\$1073	N/A	N/A
320	TEBC	427381-000	\$1073	N/A	N/A

Encoder Replacements for ACCU-Torq® Motors

Base Model	1024 PPR Part No.	1024 PPR List	2048 PPR Part No.	2048 PPR List	Connector
Dynapar-HS20	630871-000	\$650	630871-001	\$715	MS 10-pin
Dynapar-HS35	630872-000	\$1,533	630872-001	\$1,686	MS 10-pin
Dynapar-SL56	630873-000	\$2,420	630873-001	\$2,662	Epic Solderless
EPC-Model 260*	630874-000	\$600	630874-001	\$660	M-12*
EPC-25T	630875-000	\$968	630875-001	\$1,065	MS 10-pin
EPC-Model 770	630876-000	\$2,165	630876-001	\$2,382	MS 10-pin

*No Mating Connector Provided for M-12

Encoder Spare/Replacement Parts

Part No.	List	Description
0427398	\$25	9 Pin Sub-D Connector - Female
427386-000	\$45	9 Pin to 9 Pin Molded Cable 18"
427385-000	\$42	9 Pin to 9 Pin Molded Cable 12"
0617820	\$95	9 Pin Molded to 10 Pin Strain Relief Cable 18"
0617821	\$92	9 Pin Molded to 10 Pin Strain Relief Cable 12"
427396-000	\$23	Plug for 9 Pin Connector Hole TEBC
917799-000	\$70	10 Pin Bendix MS Connector - Female
411236-000	\$687	Retrofit Encoder Old Design - TENV Body Mount Connector
411243-000	\$687	Retrofit Encoder Old Design - Cable With Connector

10 Pin Bendix Wiring

Pin No.	Function
D	+VDC
F	COM
A	A
B	B
C	Z
H	A'
J	B'
K	Z'
E	N/C

9 Pin Sub-D Wiring

Pin No.	Function
1	+VDC
2	A
3	A'
4	B
5	B'
6	Z
7	Z'
8	N/C
9	COM

Stock Encoder Specifications

- Thru-shaft design (180-449 Frame)
- Differential Line Drive Output 5-26VDC (SL56 5-15)
- Quadrature Output Wave Form with Index Reference
- 1024 or 2048 PPR
- 100°C Maximum Operating Temperature

Brake Replacements for ACCU-Torq® Motors

EMR Part	Coil Volts (v-ac)	Holding Torque	List
630869-000	575	10 lb-ft	\$911
630870-000	575	6 lb-ft	\$766
630867-000	208-230/460	10 lb-ft	\$911
630868-000	208-230/460	6 lb-ft	\$766
630865-000	115/208-230	10 lb-ft	\$911
630866-000	115/208-230	6 lb-ft	\$766

Grounding Ring Replacement for ACCU-Torq® Motors

Make	EMR Part	List
AEGIS SM	632246-000	\$175

